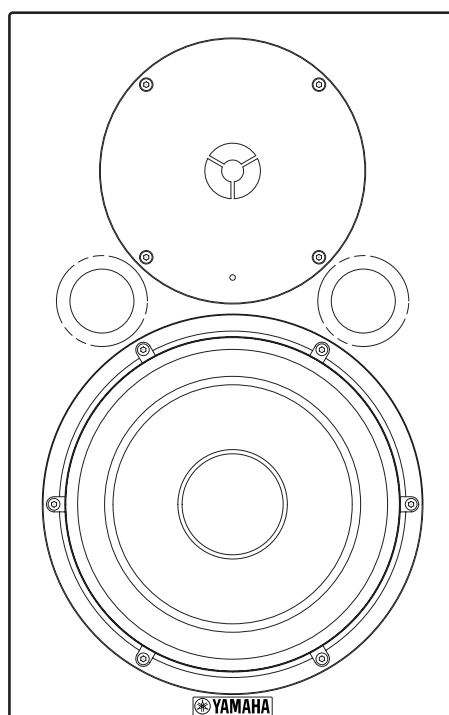




POWERED MONITOR SPEAKER

MSP10STUDIO

Owner's manual
Mode d'emploi
Bedienungsanleitung
Manual de instrucciones



Thank you for purchasing the Yamaha MSP10STUDIO powered monitor speaker system. The MSP10STUDIO features a compact bass reflex cabinet, with a 20 cm two-way cone speaker and a 2.5 cm titanium dome speaker.

This powered bi-amplifier speaker system faithfully reproduces sound and can be used for a wide range of applications, from personal home recordings to serious professional use. Please read this Owner's Manual thoroughly to make the best use of the MSP10STUDIO's quality functions for the longest period of time, and keep the manual in a safe place.

PRECAUTIONS – for safe operation –

WARNING

Installation

- Connect this unit's power cord only to an AC outlet of the type stated in this Owner's Manual or as marked on the unit. Failure to do so is a fire and electrical shock hazard.
- Do not allow water to enter this unit or allow the unit to become wet. Fire or electrical shock may result.
- Do not place heavy objects, including this unit, on top of the power cord. A damaged power cord is a fire and electrical shock hazard. In particular, be careful not to place heavy objects on a power cord covered by a carpet.
- Do not place a container with liquid or small metal objects on top of this unit. Liquid or metal objects inside this unit are a fire and electrical shock hazard.

Operation

- Do not scratch, bend, twist, pull, or heat the power cord. A damaged power cord is a fire and electrical shock hazard.
- If lightning begins to occur, turn off the power switch of the unit as soon as possible, and unplug the power cable plug from the electrical outlet.

- If there is a possibility of lightning, do not touch the power cable plug if it is still connected. Doing so may be an electrical shock hazard.
- Do not modify the unit. Doing so is a fire and electrical shock hazard.
- Do not remove the unit's cover. You could receive an electrical shock. If you think internal inspection, maintenance, or repair is necessary, contact your dealer.

In case an abnormality occurs during operation

- If the power cord is damaged (i.e., cut or a bare wire is exposed), ask your dealer for a replacement. Using the unit with a damaged power cord is a fire and electrical shock hazard.
- If you notice any abnormality, such as smoke, odor, or noise, or if a foreign object or liquid gets inside the unit, turn it off immediately. Remove the power cord from the AC outlet. Consult your dealer for repair. Using the unit in this condition is a fire and electrical shock hazard.
- Should this unit be dropped or the cabinet be damaged, turn the power switch off, remove the power plug from the AC outlet, and contact your dealer. If you continue using the unit without heeding this instruction, fire or electrical shock may result.

CAUTION

Installation

- Keep this unit away from the following locations:
 - Locations exposed to oil splashes or steam, such as near cooking stoves, humidifiers, etc.
 - Unstable surfaces, such as a wobbly table or slope.
 - Locations exposed to excessive heat, such as inside a car with all the windows closed, or places that receive direct sunlight.
 - Locations subject to excessive humidity or dust accumulation.
- Do not place the power cord close to a heater. It may melt, causing fire or electrical shock.

- Hold the power cord plug when disconnecting it from an AC outlet. Never pull the cord. A damaged power cord is a potential fire and electrical shock hazard.
- Do not touch the power plug with wet hands. Doing so is a potential electrical shock hazard.
- This unit has ventilation holes at the bottom and rear to prevent the internal temperature rising too high. Do not block them. Blocked ventilation holes are a fire hazard. In particular, do not
 - place the unit on its side or upside down,
 - place the unit in any poorly-ventilated location such as a bookcase or closet.
 - cover the unit with a table cloth or place it on a carpet or bed.

- To relocate the unit, turn the power switch off, remove the power plug from the AC outlet, and remove all connecting cables. Damaged cables may cause fire or electrical shock.
- This unit is heavy. Use two or more people to carry it.
- Allow enough free space around the unit for normal ventilation. This should be: 10 cm at the sides, 30 cm behind, and 60 cm above.
If the airflow is not adequate, the unit will heat up inside and may cause a fire.

Operation

- Turn off all musical instruments, and audio equipment when connecting to this unit. Use the correct connecting cables and connect as specified.
- Always lower the volume control to minimum before turning on the power to this unit. A sudden blast of sound may damage your hearing.
- Do not output distorted sounds for long periods of time, as this will cause the speaker to heat up, leading to a fire hazard.
- Do not raise the volume of headphones or speakers to a level that makes you feel uncomfortable. Listening to loud music for long periods can damage your hearing.
- If you know you will not use this unit for a long period of time, such as when going on vacation, remove the power plug from the AC outlet. Leaving it connected is a potential fire hazard.

Maintenance

- To prevent electrical shock when cleaning the unit, remove the power plug from the AC outlet.

PRECAUTIONS – for correct operation –

Connector pin assignments

- XLR-type connectors are wired as follows: pin 1: ground, pin 2: hot (+), and pin 3: cold (-).

Influence on cell phone usage

- Using a mobile telephone near this unit may induce noise. If noise occurs, use the telephone away from the unit.

Operation

- This speaker is magnetic shielded. However, if a nearby monitor displays any uneven colors, place it further away from the monitor.
- You may feel a flow of air in and out of the port on this unit. This is not abnormal and sometimes occurs when a program with a lot of bass range is played.


WARNING: THIS APPARATUS MUST BE EARTHED

IMPORTANT

THE WIRES IN THIS MAINS LEAD ARE COLOURED IN ACCORDANCE WITH THE FOLLOWING CODE:

GREEN-AND-YELLOW :	EARTH
BLUE :	NEUTRAL
BROWN :	LIVE

As the colours of the wires in the mains lead of this apparatus may not correspond with the coloured markings identifying the terminals in your plug, proceed as follows:

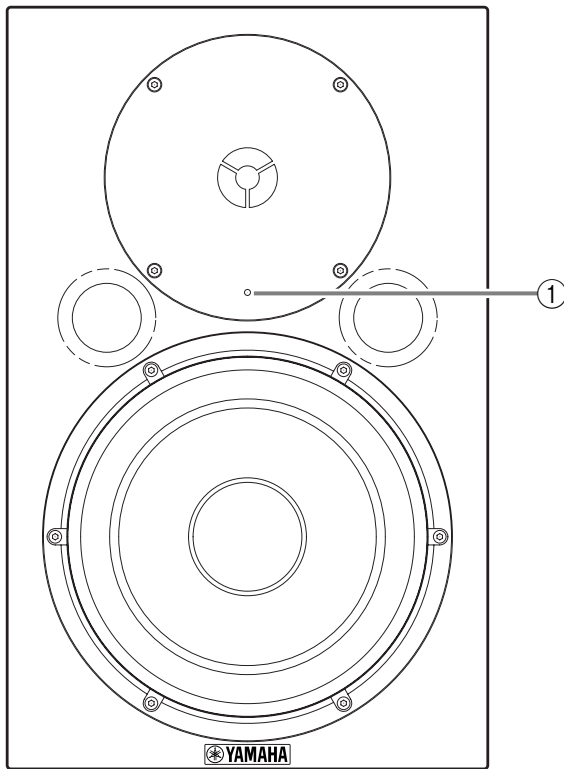
The wire which is coloured GREEN and YELLOW must be connected to the terminal in the plug which is marked by the letter E or by the safety earth symbol  or coloured GREEN and YELLOW.

The wire which is coloured BLUE must be connected to the terminal which is marked with the letter N or coloured BLACK.

The wire which is coloured BROWN must be connected to the terminal which is marked with the letter L or coloured RED.

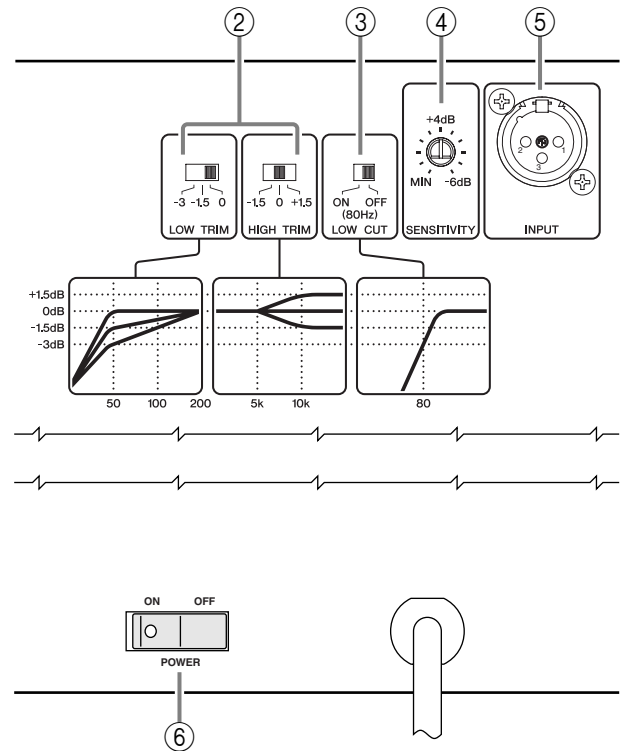
* This applies only to products distributed by YAMAHA KEMBLE MUSIC (U.K.) LTD.

Front panel/Rear panel



① Power/Clip indicator

This indicator lights up green when you turn ON the POWER switch on the rear panel. If the output level is too high, causing clipping at the amplifier, the indicator lights up red. In this case, lower the input level.



② TRIM switches

These switches enable you to adjust the bass and treble for the MSP10STUDIO.

LOW: three positions

The LOW switch adjusts the bass range. At a frequency of 50 Hz, changing the setting from "0" to "-1.5" will cut the bass range by 1.5 dB. Changing the setting from "0" to "-3" will cut the bass range by 3 dB.

HIGH: three positions

The HIGH switch adjusts the treble. At a frequency of 10 kHz, changing the setting from "0" to "+1.5" will boost the treble range by 1.5 dB. Changing the setting from "0" to "-1.5" will cut the treble range by 1.5 dB.

③ LOW CUT switch

This switch turns on or off the high-pass filter that cuts frequency ranges below 80 Hz.

④ SENSITIVITY control

Adjust the volume according to the output sensitivity of the connected device. (The factory default setting is "MIN.")

⑤ INPUT jack

This is an XLR-type balanced input jack.

⑥ POWER switch

This switch turns the power to the MSP10STUDIO on and off. When you turn this switch on, the power/clip indicator lights up green.

Specifications

General specifications

Type.....	Amplified 2Way Bass Reflex Powered Speaker (Bi-Amp.)
Crossover Frequency.....	2.0 kHz, 30 dB/oct
Frequency Range	40 Hz to 40 kHz (-10 dB)
Sensitivity	-10 dB at -6 dB position (for 100 dB/SPL, 1 m on Axis)
Maximum Output Level	110 dB (1 m on Axis)
Dimensions (W × H × D).....	265 × 420 × 329 mm
Weight.....	20 kg

Speaker unit

Speaker Unit.....	LF: 20 cm Cone (4Ω, magnetic shielded) HF: 2.5 cm Titan Dome (8Ω, magnetic shielded)
Enclosure	Type: Bass Reflex

Amp. unit

Maximum Output Power.....	LF: 120 W at 400 Hz, THD= 0.02%, RL= 4Ω HF: 60 W at 10 kHz, THD= 0.02%, RL= 8Ω
Input Sensitivity/Impedance	-6 dB to +4 dB/10 kΩ
Hum & Noise.....	≤-67 dBu (Volume= Min) DIN Audio filter
Signal to Noise Ratio.....	≥98 dB (IEC-A Weighting)
Controls	TRIM Switch LOW: 3 positions (0 dB, -1.5 dB, -3 dB at 50 Hz) HIGH: 3 positions (+1.5 dB, 0 dB, -1.5 dB at 10 kHz) LOW CUT Switch: ON/OFF SENSITIVITY Control POWER Switch: ON/OFF
Connectors	Input XLR-3-31
Power Indicator/Clip Indicator ...	Green/Red LED
Power Requirement.....	USA and Canada: AC 120 V, 60 Hz Europe: AC 230 V, 50 Hz Korea: AC 220 V, 60 Hz Australia: AC 240 V, 50 Hz
Power Consumption.....	USA and Canada: 150W Others: 170W
Option	Wall mounting bracket BWS251-300

Specifications and descriptions in this owner's manual are for information purposes only. Yamaha Corp. reserves the right to change or modify products or specifications at any time without prior notice. Since specifications, equipment or options may not be the same in every locale, please check with your Yamaha dealer.

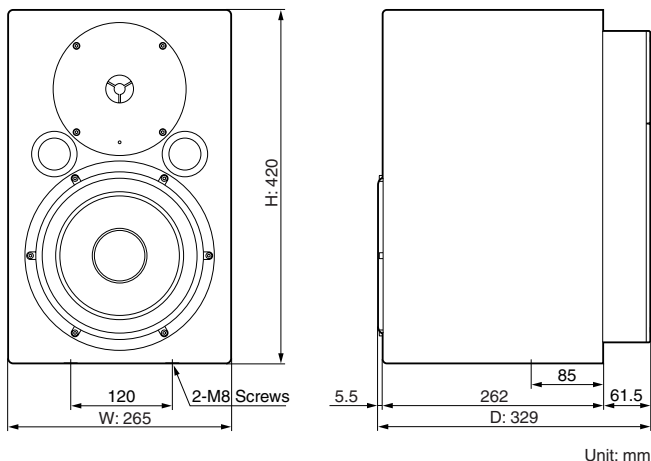
For European Model

Purchaser/User Information specified in EN55103-1 and EN55103-2.

Inrush Current: 11A

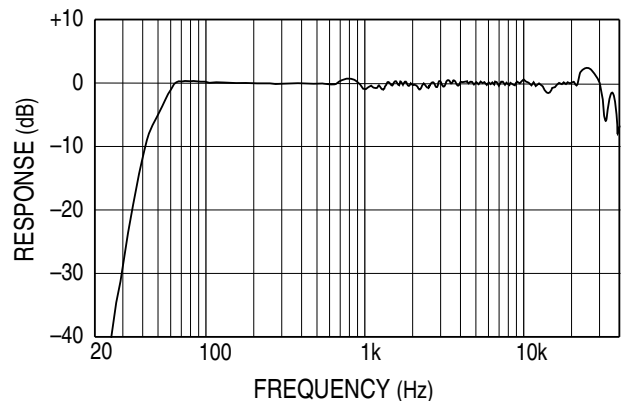
Conformed Environment: E1, E2, E3 and E4

Dimensions

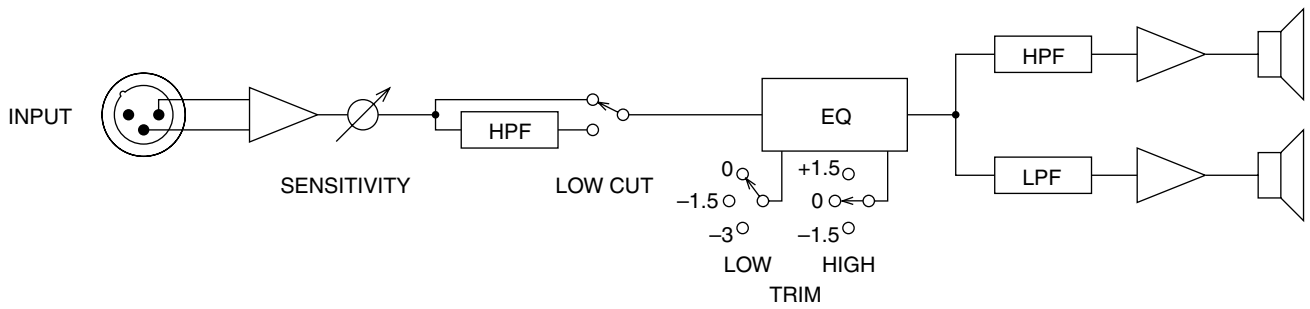


Performance graph

Standard frequency response



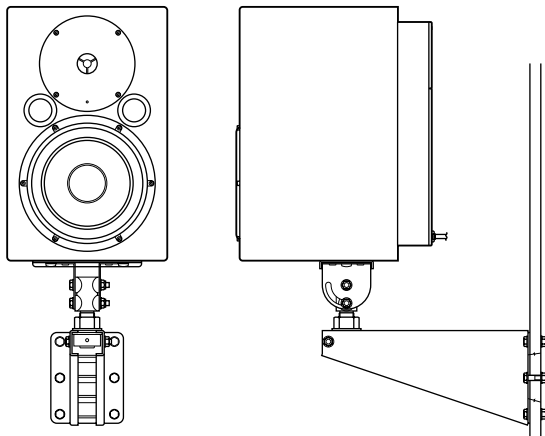
Block Diagram



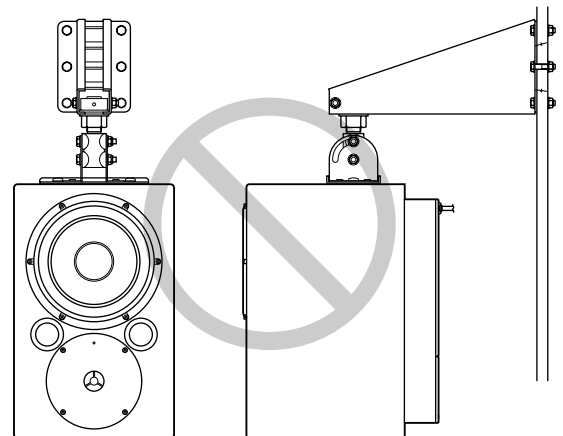
Mounting the MSP10STUDIO on the wall

You can install the MSP10STUDIO on the wall using an optional Yamaha wall bracket BWS251-300. For more information on how to install it, refer to the instructions that come with the wall bracket. For the angle and position of installation, refer to the figure below. The wall should be strong enough to support the speaker and equivalent to a sheet of plywood with a thickness of 18 mm (11/16 inches) or more. Use appropriate tools for installation.

Correct installation



Incorrect installation



- Recommend for new constructions.
- Ask an installation specialist for instruction.
- Some installation parts may deteriorate due to friction or corrosion over a long period of time. For safety, check these parts and condition regularly.



Yamaha Manual Library
<http://www2.yamaha.co.jp/manual/english/>

M.D.G., Pro Audio & Digital Musical Instrument Division, Yamaha Corporation
© 2002 Yamaha Corporation

V879530 207IPEPx.x-01A0
Printed in Taiwan